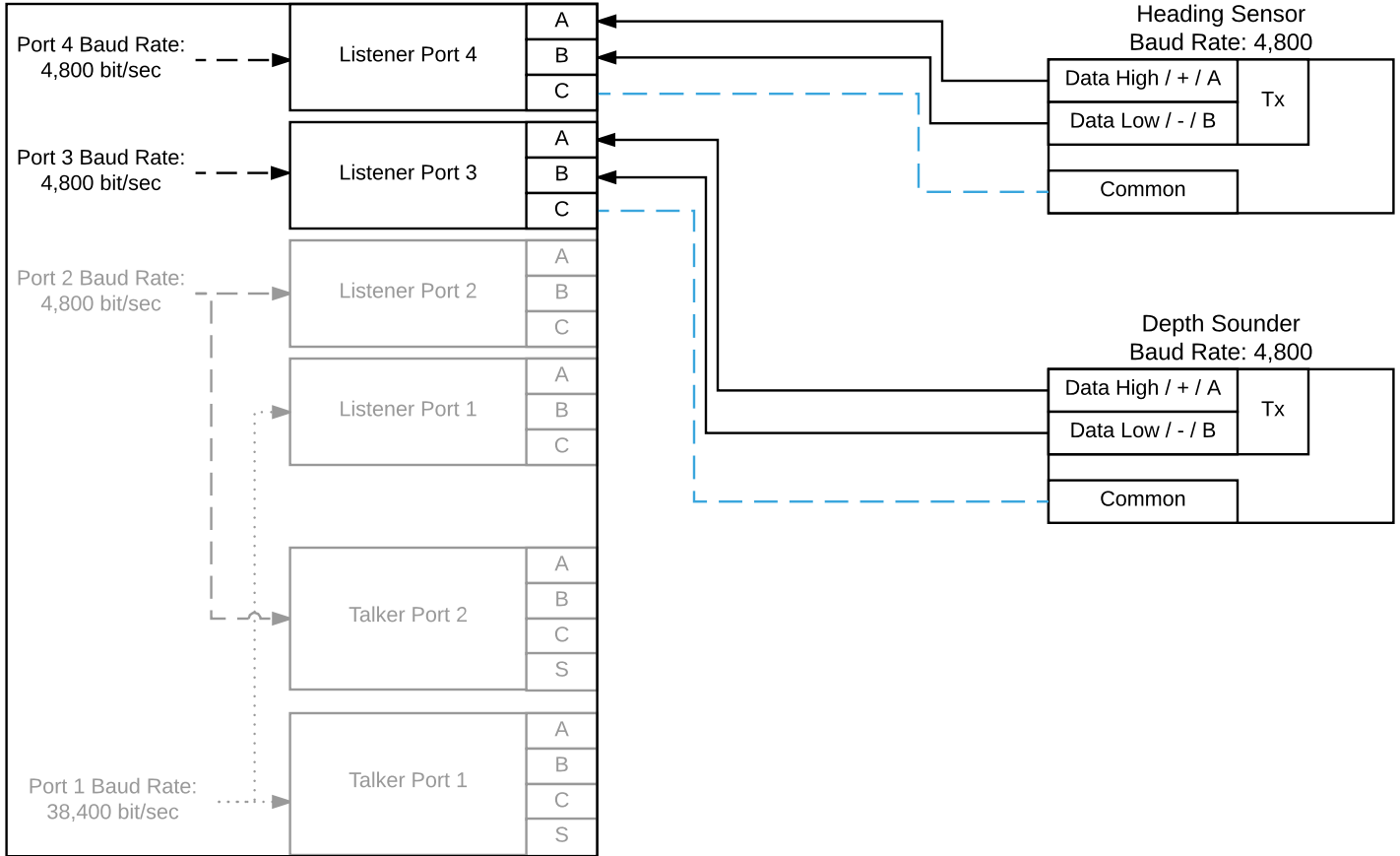


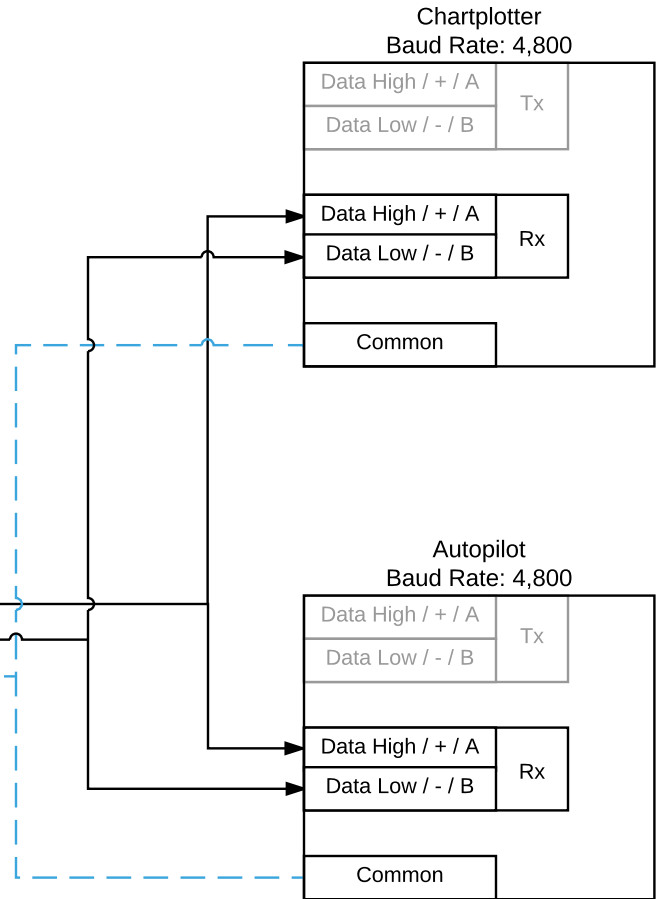
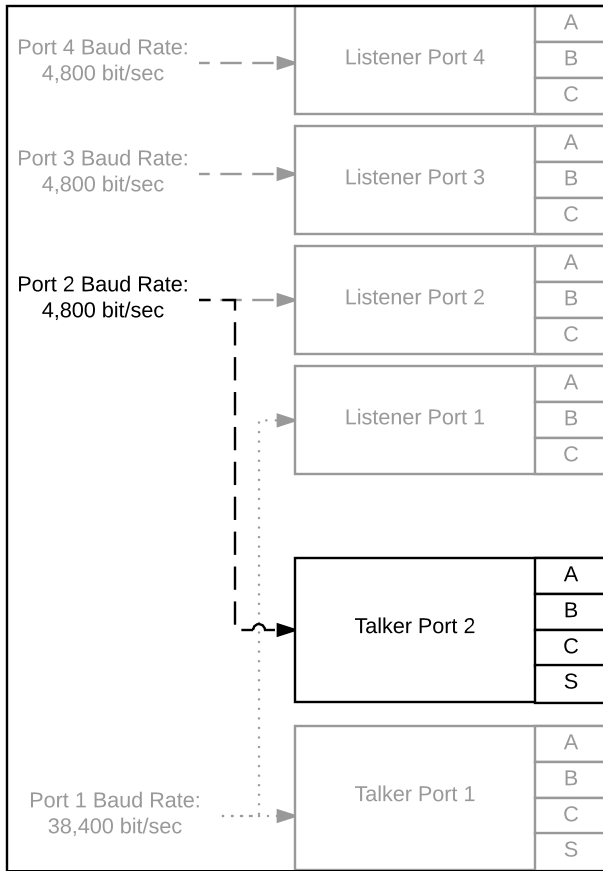
Multiple Sensors

Nemo Gateway



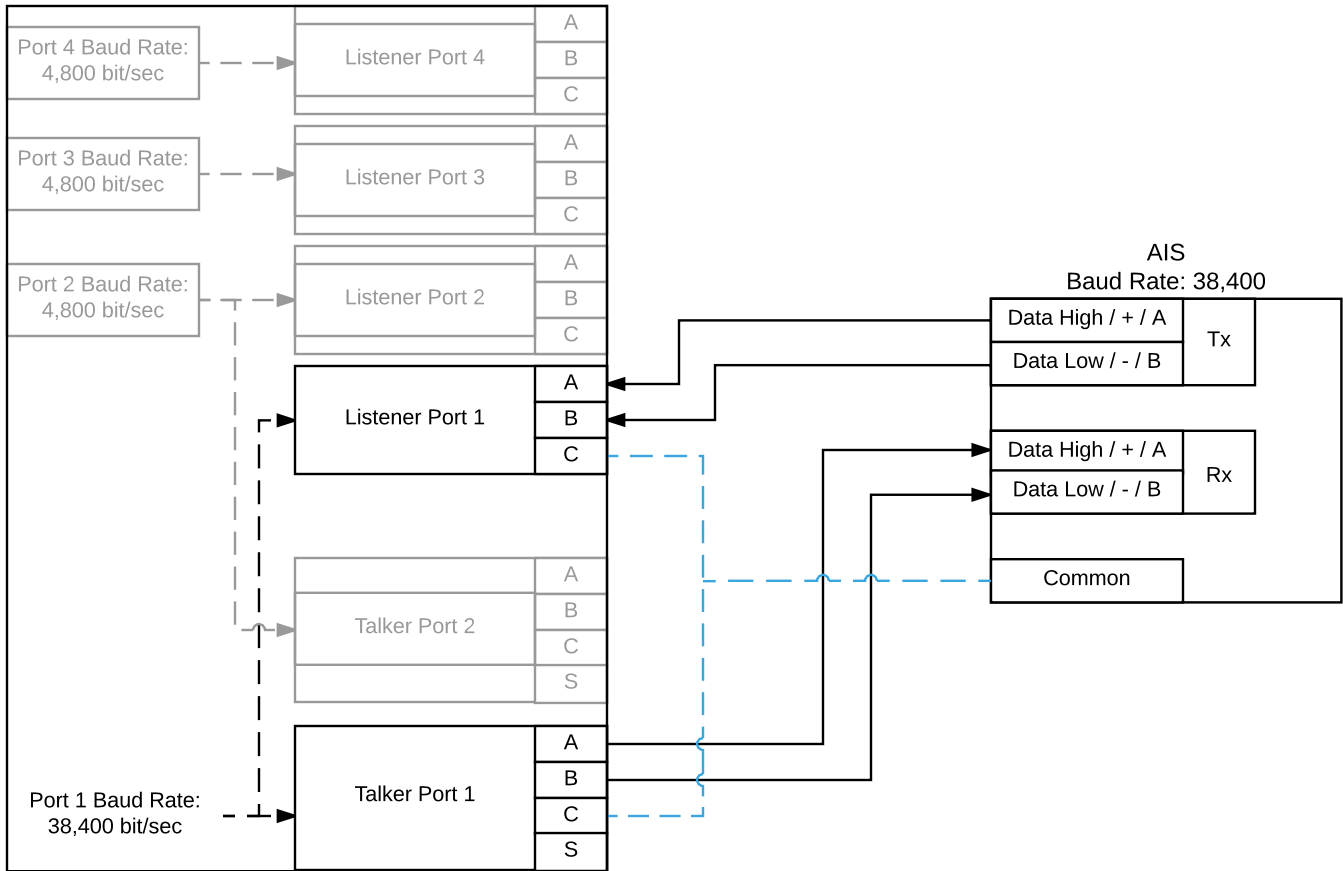
Talker to Multiple Listeners

Nemo Gateway

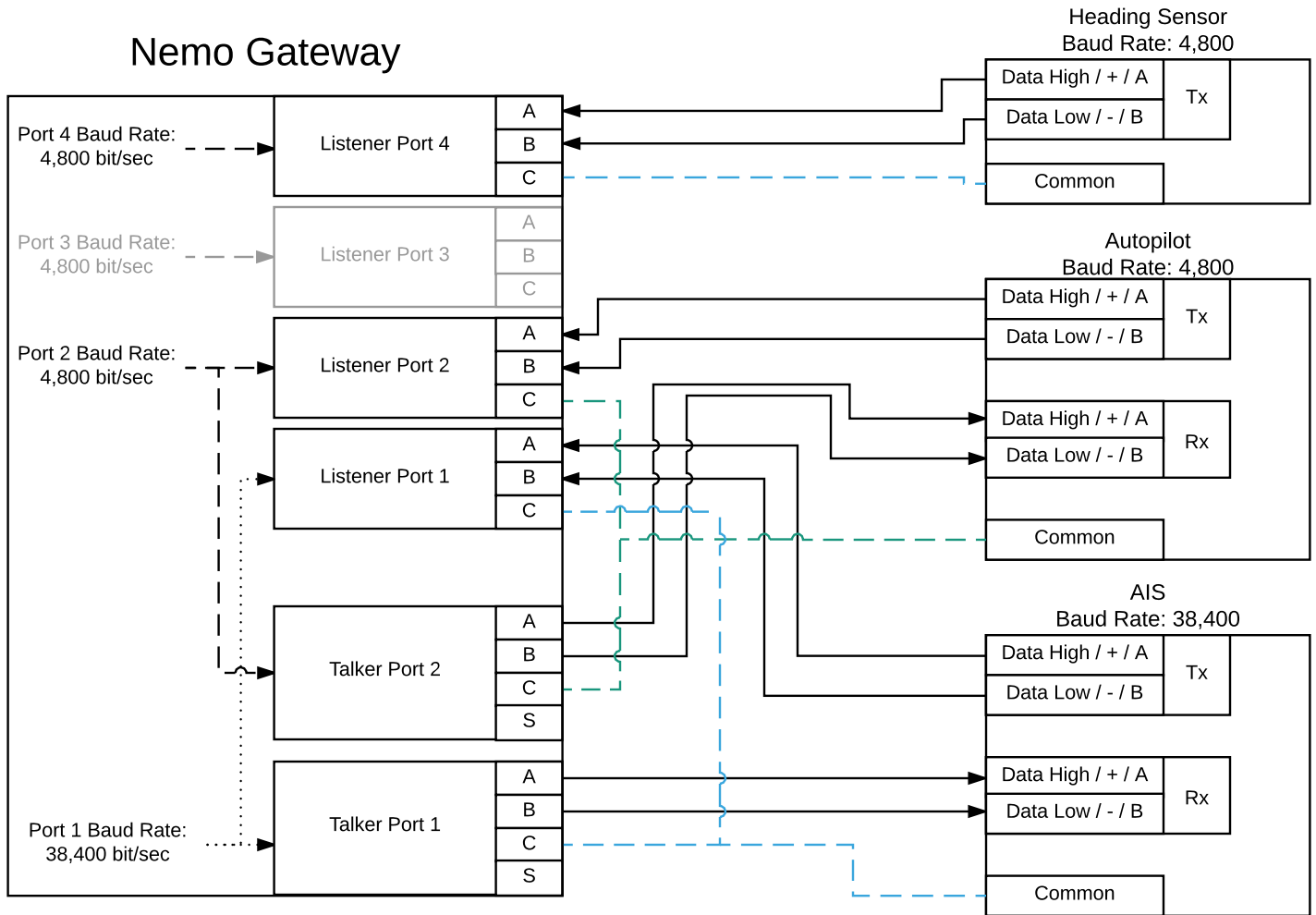


Bidirectional Communication

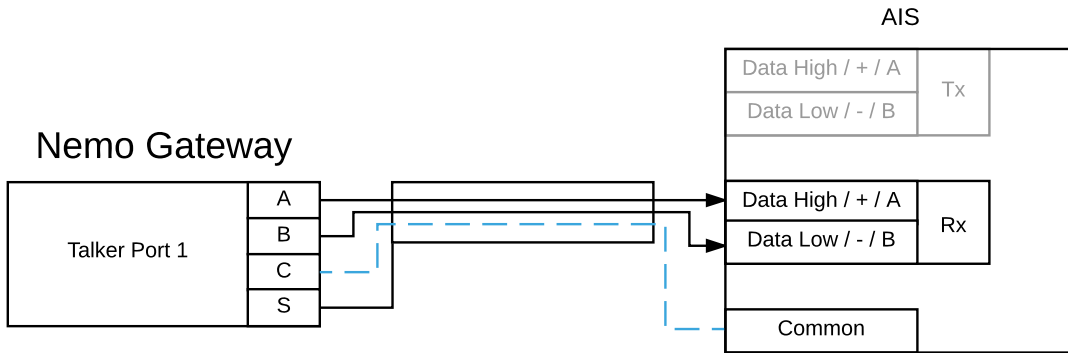
Nemo Gateway



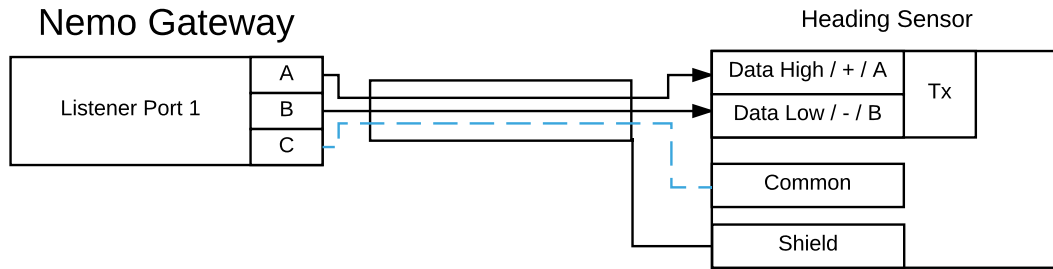
Double Bidirectional Communication and Listener



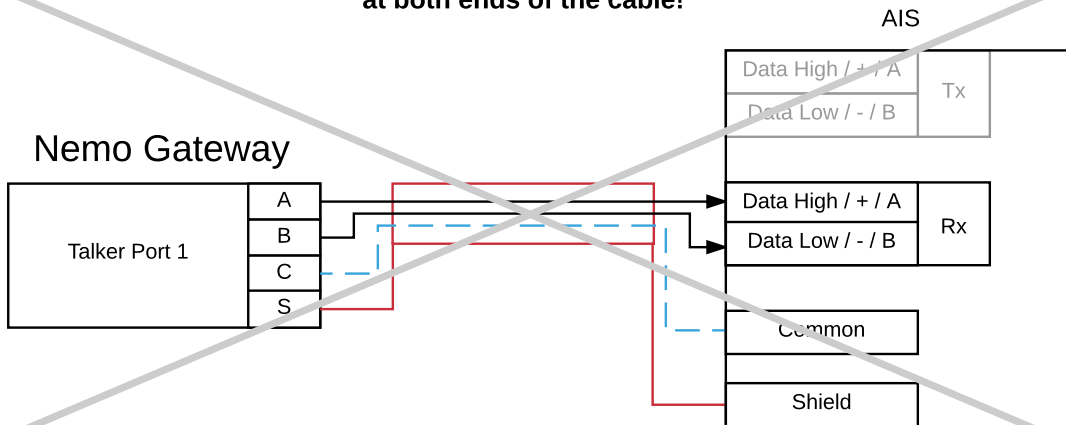
Shielding the Cable



If the cable is shielded, the shield should only be connected to the Talker



DO NOT connect the Shield at both ends of the cable!



Same Port Number, Different Devices

Nemo Gateway

